

A sub-miniature, low profile, smd voltage controlled TCXO manufactured over the frequency range of 15MHz to 40MHz. Tolerance from $\pm 0.5\text{ppm}$, low ageing.

A standard package for new designs and volume applications combining small size and tight tolerance over an extended temperature range.

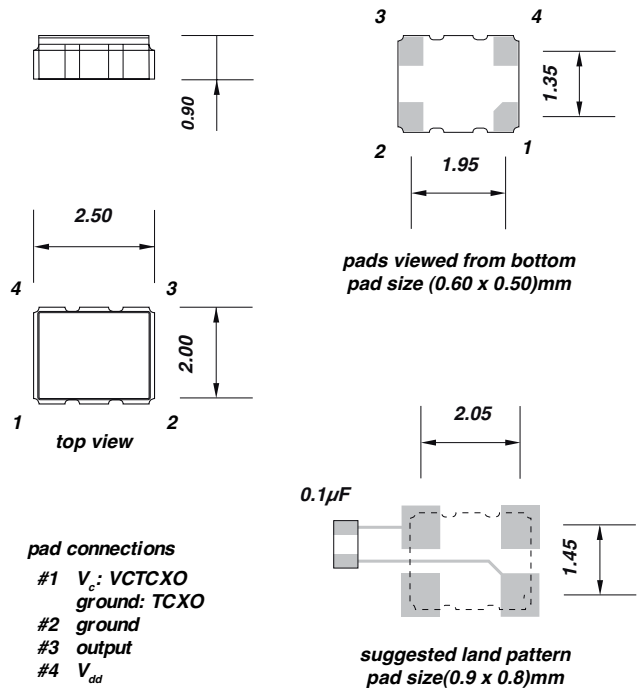
Supplied on tape and reel; 1000, 2000, 3000 or 5000 pieces per reel.

External DC cut capacitor required, NPO 150pF recommended.

Frequency stability -vs- temperature:

TEMP. RANGE	TOLERANCE				
(0 +55)°C	$\pm 0.5\text{ppm}$	$\pm 1.0\text{ppm}$	$\pm 1.5\text{ppm}$	$\pm 2.0\text{ppm}$	$\pm 2.5\text{ppm}$
(-10 +60)°C	$\pm 0.5\text{ppm}$	$\pm 1.0\text{ppm}$	$\pm 1.5\text{ppm}$	$\pm 2.0\text{ppm}$	$\pm 2.5\text{ppm}$
(-20 +70)°C	$\pm 0.5\text{ppm}$	$\pm 1.0\text{ppm}$	$\pm 1.5\text{ppm}$	$\pm 2.0\text{ppm}$	$\pm 2.5\text{ppm}$
(-30 +85)°C		$\pm 1.0\text{ppm}$	$\pm 1.5\text{ppm}$	$\pm 2.0\text{ppm}$	$\pm 2.5\text{ppm}$
(-40 +85)°C			$\pm 1.5\text{ppm}$	$\pm 2.0\text{ppm}$	$\pm 2.5\text{ppm}$

Dimensions(mm)



Electrical specification:

	2.8Vd.c.		2.5Vd.c.		
	min.	max.	min.	max.	
supply voltage $\pm 5\%$	2.66	2.94	2.375	2.625	Vd.c.
frequency range	(15 ~ 40)MHz				MHz
standard frequencies	16.367667, 16.368, 16.369, 19.20, 26.0, 40.0				MHz
standard frequency tolerance	± 2.0				ppm
frequency stability vs supply $\pm 5\%$	-	± 0.2	-	± 0.2	ppm
frequency stability vs load $\pm 10\%$	-	± 0.2	-	± 0.2	ppm
frequency stability vs ageing		± 1.0	-	± 1.0	ppm per year
supply current: (15 ~ 26)MHz	-	2.0	-	2.0	mA
supply current: (26 ~ 40)MHz	-	2.5	-	2.5	mA
output level clipped sine wave	0.8	-	0.8	-	Vp-p
load	10K Ω //10pF		10K Ω //10pF		
V_c voltage control range	0.4	2.4	0.4	2.4	V
pulling range	± 5		± 5		ppm
V_c input impedance	500		500		K Ω
phase noise @19.2MHz +100Hz	-115		-115		dBc/Hz
phase noise @19.2MHz +1kHz	-135		-135		dBc/Hz
phase noise @19.2MHz +10kHz	-148		-148		dBc/Hz
start up time	-	2	-	2	milli sec
storage temperature range	(-55 +125)°C				°C